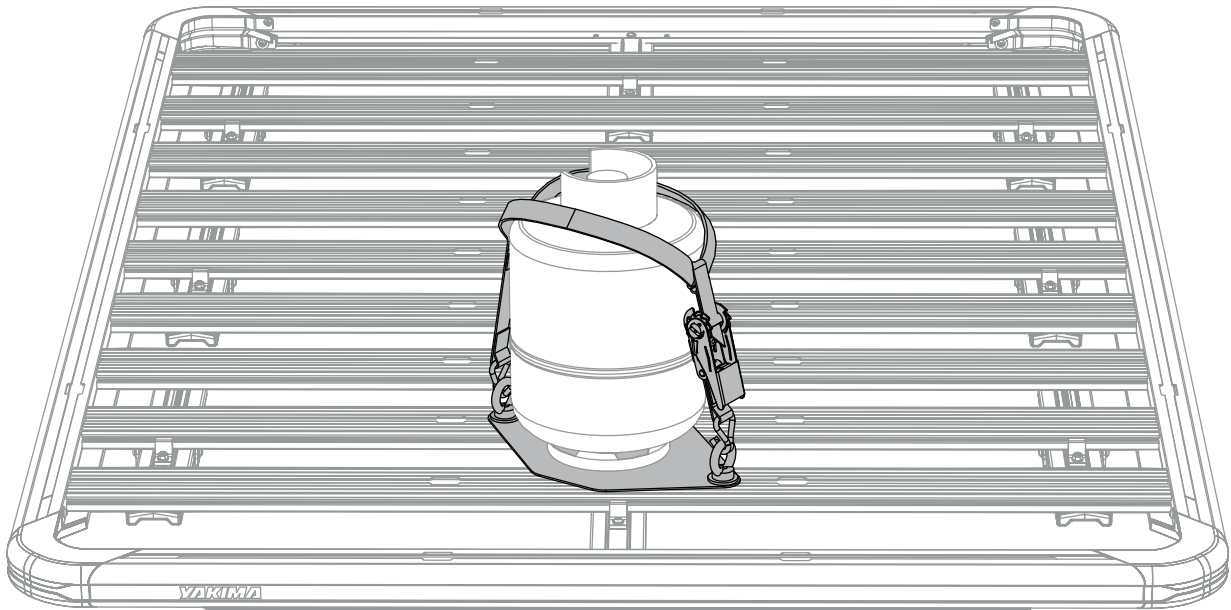


FIRST TIME INSTALLATION

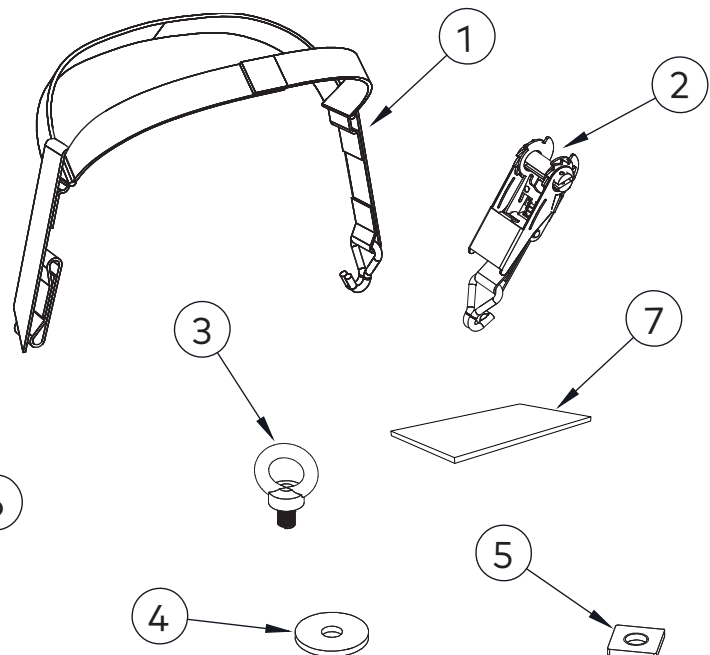
- Please read instructions carefully before installation.
- Check the contents of kit. Contact your YAKIMA dealer if any parts appear missing or damaged.
- Clean your platform prior to fitting the LockNLoad Gas Bottle Restraint kit.
- Place these instructions in the vehicle's glove box after installation is complete.



PLATFORM SOLD SEPARATELY

KIT CONTENTS

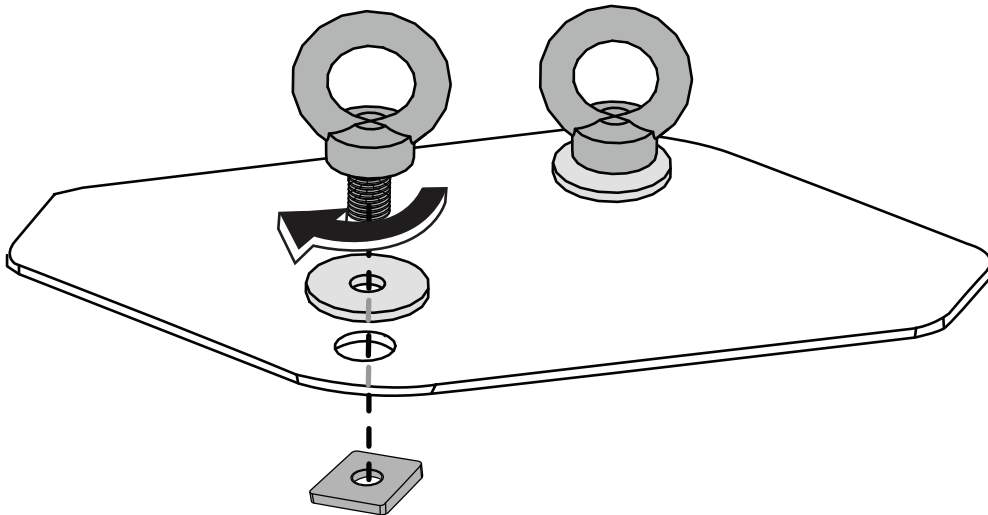
ITEM	COMPONENT	QTY
1.	Gas Bottle Restraint Strap	x1
2.	Ratchet Strap	x1
3.	M10 Eye Bolt	x2
4.	M10 Washer	x2
5.	M10 T-Nut	x2
6.	Baseplate	x1
7.	Protective Tape	x3



INSTALLATION

1 LOOSELY ASSEMBLE COMPONENTS ONTO BASE PLATE

Loosely assemble the eye bolts, washers and t-nuts to the baseplate ensuring the t-nuts are placed under the plate. Ensure there is enough slack between the t-nuts and the baseplate to allow the t-nut to slide under and along the slat channels of the platform.



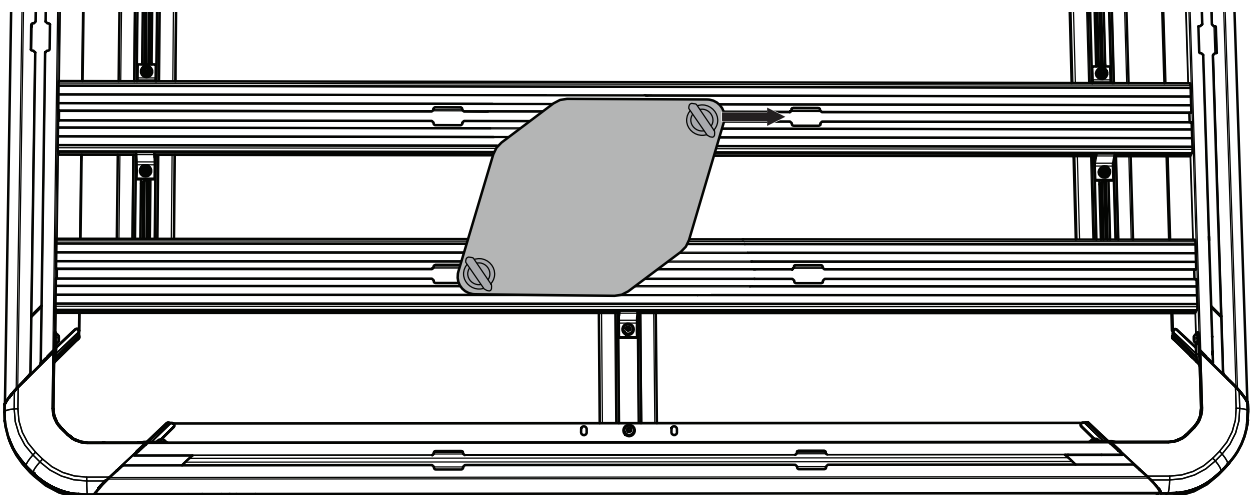
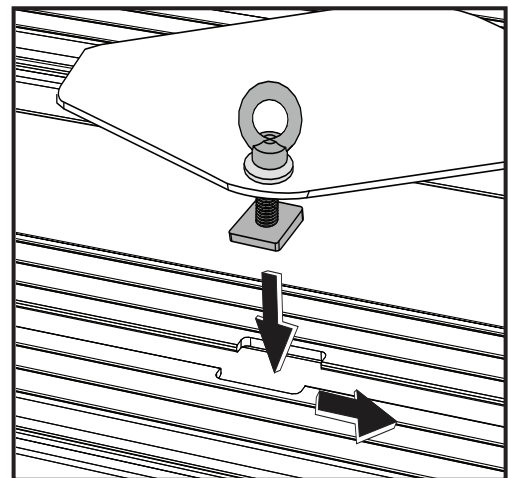
x2

2 POSITION BASEPLATE

Determine where on the platform you wish to install the gas bottle holder.

Place baseplate onto platform and manoeuvre baseplate until left-most t-nut drops into closest slat channel cutout.

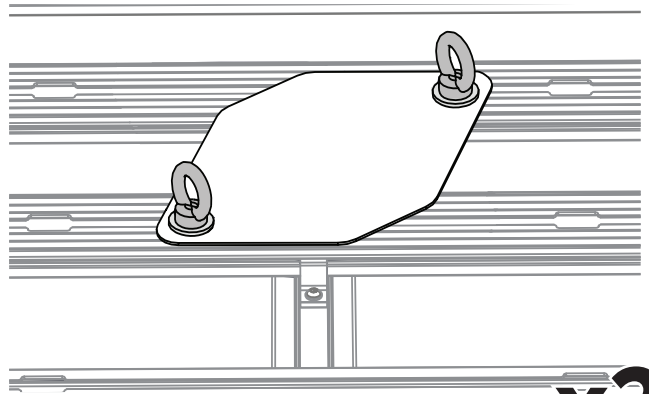
Slide the baseplate along the slat channel until the other t-nut can be inserted in the slat above to the right. Position baseplate to desired position.



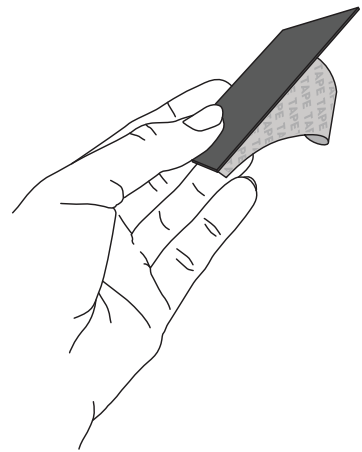
3**SECURE EYE BOLTS**

Tighten eye bolts.

A tool such as a screwdriver, placed through the eye of the bolt, may be used for leverage to tighten the eye bolt firmly.

**x2****4****APPLY PROTECTIVE TAPE**

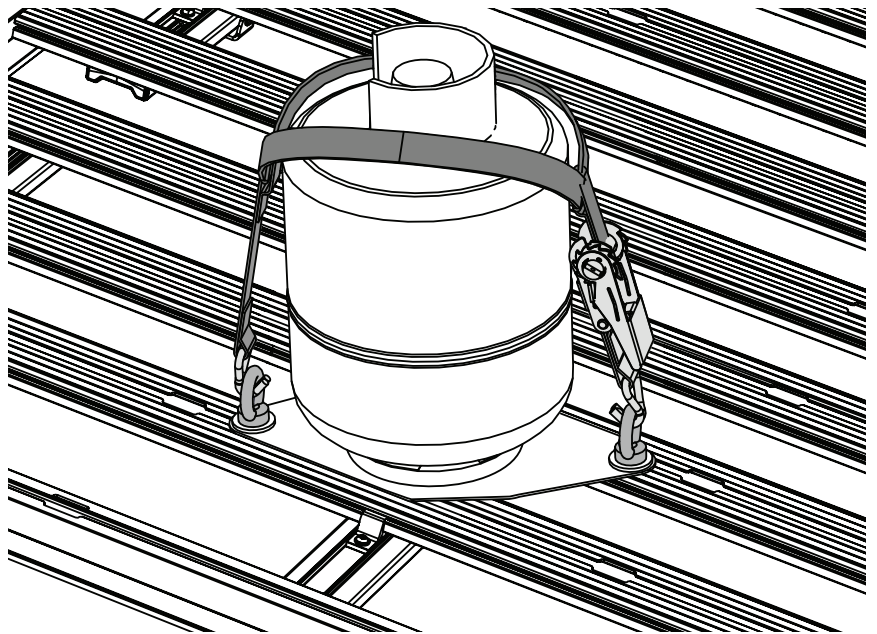
Remove backing off protective tape and apply as required to the top surface of the baseplate to prevent scratching.

**x3****5****SECURE STRAPS**

Place the restraint strap over the top of the 4 kg gas bottle and attach the hooked end to eye bolt.

Feed the unhooked end of the restraint strap through the ratchet. Attach the ratchet strap hook to the other eye bolt.

Tighten ratchet until gas bottle is firmly secured.

**MAINTENANCE AND SAFETY**

- If straps become contaminated with oil, fuel or acid remove with hot soapy water.
- If the ratchet mechanism becomes stiff in use, a small amount of lubrication applied to the moving parts will ease operation.
- Ratcheting strap must not be used for lifting. Protect from abrasion and friction. Do not tie knots in the straps. Do not use a damaged strap.
- 150 kg lashing capacity on the polypropylene webbing.



www.yakima.com.au
www.yakima.co.nz
www.yakima.com
www.yakima.eu

YAKIMA AUSTRALIA PTY LTD

17 Hinkler Court
Brendale, QLD 4500
Australia
1800 143 548

YAKIMA PRODUCTS, INC.

4101 Kruse Way
Lake Oswego, OR
97035-2541
USA
888 925 4621
yakima.com/support